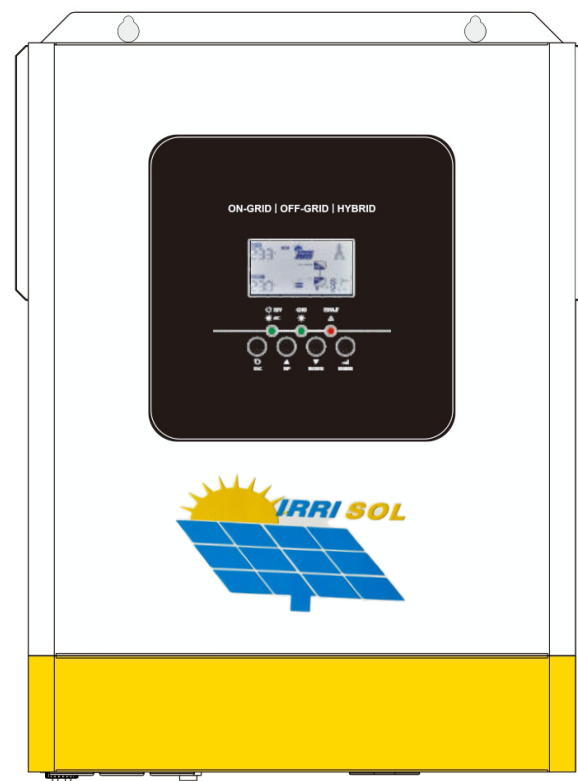


On / Off- Grid Hybrid Solar Inverter 5KW

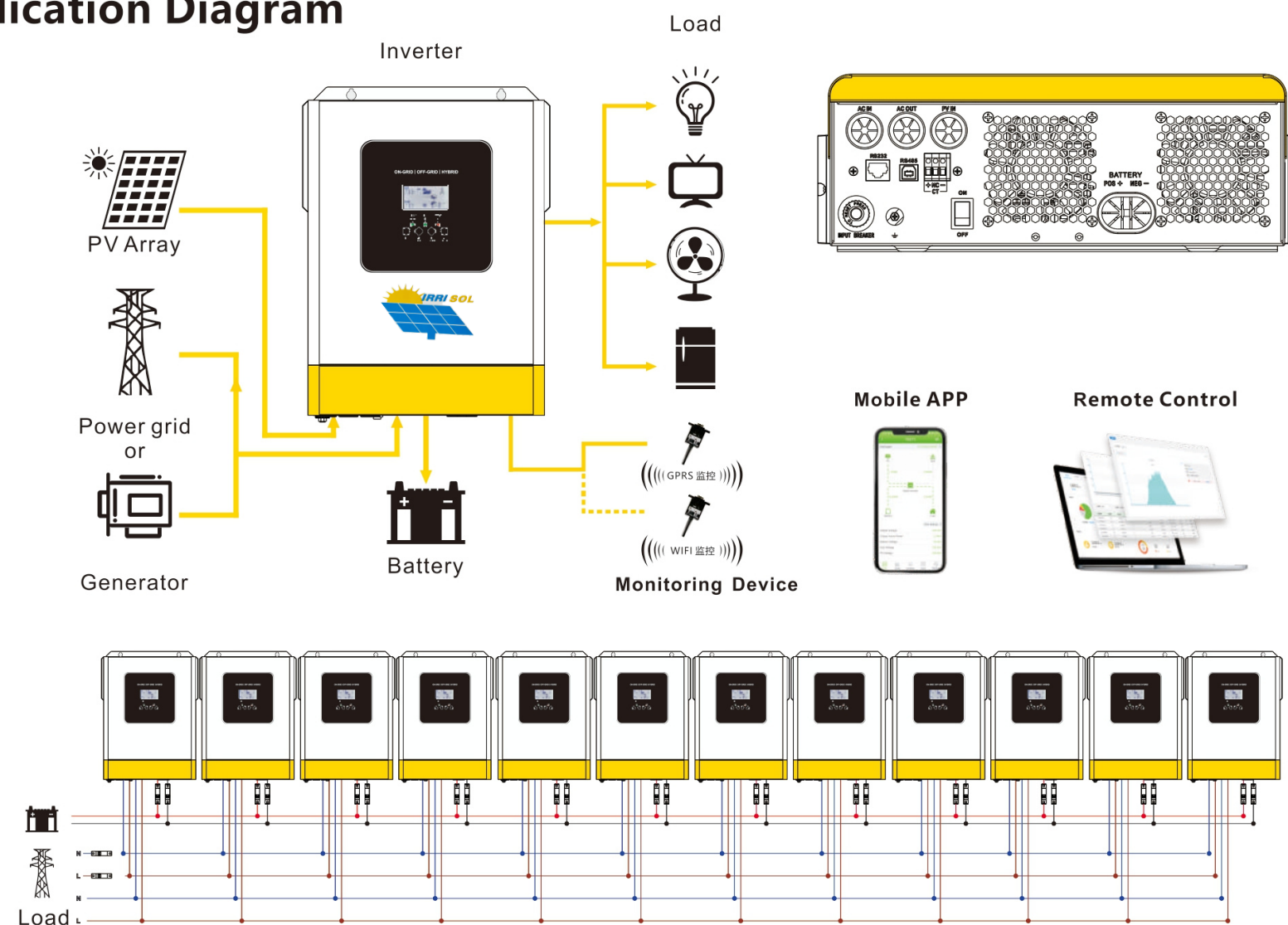


Features

- Output power factor 1
- High PV input voltage range
- Built-in MPPT solar controller
- WiFi/GPRS remote monitoring(Optional)
- Reserved communication port for BMS
- Built-in anti-dusk kit for harsh environment
- Self - consumption and Feed - in to the grid
- User - adjustable charging current and voltage
- Programmable supply priority for PV , Battery or Grid
- Support multiple output priority: SBU SUB SUF ZEC
- Parallel operation up to 12 units , support parallel in 1phase or 3phase
- Battery equalization function to optimize battery performance and extend lifecycle
- Programmable multiple operation modes : Grid - tie , off - grid and grid - tie with backup

This is a multi-functional inverter/charger, combining functions of inverter, solar charger and battery charger to offer uninterruptible power support in portable size. Its comprehensive LCD display offers user -configurable and easy-accessible button operation such as battery charging current, AC/solar charger priority ,and acceptable input voltage based on different applications.

Application Diagram



Technical Data

MODEL	SY5.0K-P
PHASE	1-Phase In /1-Phase Out
MAXIMUM PV INPUT POWER	5500W
RATED OUTPUT POWER	5000VA/5000W
MAXIMUM CHARGING POWER	5000W
GRID-TIE OPERATION	
PV INPUT (DC)	
Nominal DC Voltage / Maximum DC Voltage	360VDC/500VDC
Start-up Voltage / Initial Feeding Voltage	150VDC/120VDC
MPPT Voltage Range	120VDC~450VDC
Number of MPPT Trackers / Maximum Input Current	1/18A
GRID OUTPUT (AC)	
Nominal Output Voltage	220/230/240VAC
Output Voltage Range	170-280VAC or 90-280VAC
Nominal Output Current	22.7A
Power Factor	0.6~1 (inductive or capacitive)
EFFICIENCY	
Maximum Conversion Efficiency (DC/AC)	94%
OFF-GRID OPERATION	
AC INPUT	
AC Start-up Voltage / Auto Restart Voltage	100Vac/90Vac
Acceptable Input Voltage Range	170-280VAC or 90-280VAC
Maximum AC Input Current	40A
PV INPUT (DC)	
Maximum DC Voltage	500VDC
MPPT Voltage Range	120VDC~450VDC
Number of MPPT Trackers / Maximum Input Current	1/18A
BATTERY MODE OUTPUT (AC)	
Nominal Output Voltage	220/230/240VAC
Output Waveform	Pure Sinewave
Efficiency (DC to AC)	94%
HYBRID OPERATION	
PV INPUT (DC)	
Nominal DC Voltage / Maximum DC Voltage	360VDC/500VDC
Start-up Voltage / Initial Feeding Voltage	150VDC/120VDC
MPPT Voltage Range	120VDC~450VDC
Number of MPPT Trackers / Maximum Input Current	1/18A
GRID OUTPUT (AC)	
Nominal Output Voltage	220/230/240VAC
Output Voltage Range	170-280VAC or 90-280VAC
Nominal Output Current	22.7A
AC INPUT	
AC Start-up Voltage / Auto Restart Voltage	100Vac/90Vac
Acceptable Input Voltage Range	170-280VAC or 90-280VAC
Maximum AC Input Current	40A
BATTERY MODE OUTPUT (AC)	
Nominal Output Voltage	48VDC
Efficiency (DC to AC)	94%
BATTERY & CHARGER	
Nominal DC Voltage	48VDC
Maximum Solar Charging Current	100A
Maximum AC Charging Current	60A
Maximum Charging Current	100A
GENERAL	
PHYSICAL	
Dimension, D x W x H (mm)	448*315*122
Net Weight (kgs)	11
INTERFACE	
Parallel Function	1-Phase Parallel*12 / 3-Phase Parallel*12
Communication Port	RS232/RS485
ENVIRONMENT	
Humidity	5%~95% Relative Humidity (Non-condensing)
Operating Temperature	-10°C~55°C

*Product specifications are subject to change without further notice.